

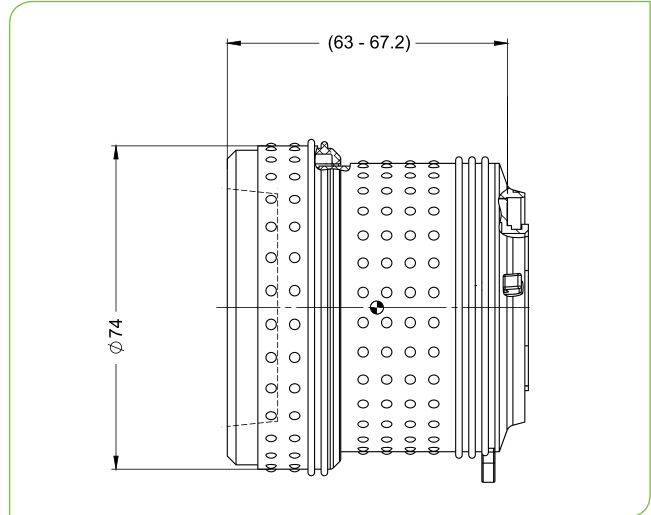
# SupIR 65mm f/1.25, Manual Focus 680061

TYPICAL ICD\*

LWIR | 1-FOV



**HD  
FORMAT**



HFOV	320x240	384x288	640x480	1024x768
17μ	4.8°	5.7°	9.6°	
12μ	3.4°	4.1°	6.8°	10.8°

Property	Value				
<b>Optical</b>					
Focal Length	65mm				
F#	1.25				
Average transmission (8-12μm)	89% (HC)				
Back Focal Length	25.76mm in air				
<b>Mechanical</b>					
Focus Mechanism	Manual				
Depth of Field	175m to infinity				
Focus Range	2.5m to infinity				
Weight	373gr				
Max. Dimensions	Ø74mm x (63.0-67.2)mm				
<b>Environmental</b>					
Operation Temperature	-40°C to +80°C				
Storage Temperature	-55°C to +85°C				
Sealing	IP 67 front element only				
<b>Configurations</b>	<b>Weight (gr)</b>	<b>Dimensions</b>	<b>BWD**</b>	<b>Thread</b>	<b>Coating</b>
680061-003	373	Ø74mm x (63.0-67.2)mm	15	Bayonet	HC

\* The ICD drawing provided here is primarily a representation and may not accurately reflect the product's actual dimensions and specifications. For precise integration specifications contact your local sales representative.

\*\* The BWD value is calculated for a unique detector setup with varying sealing windows in terms of thickness and material. For more details, contact your local sales representative.